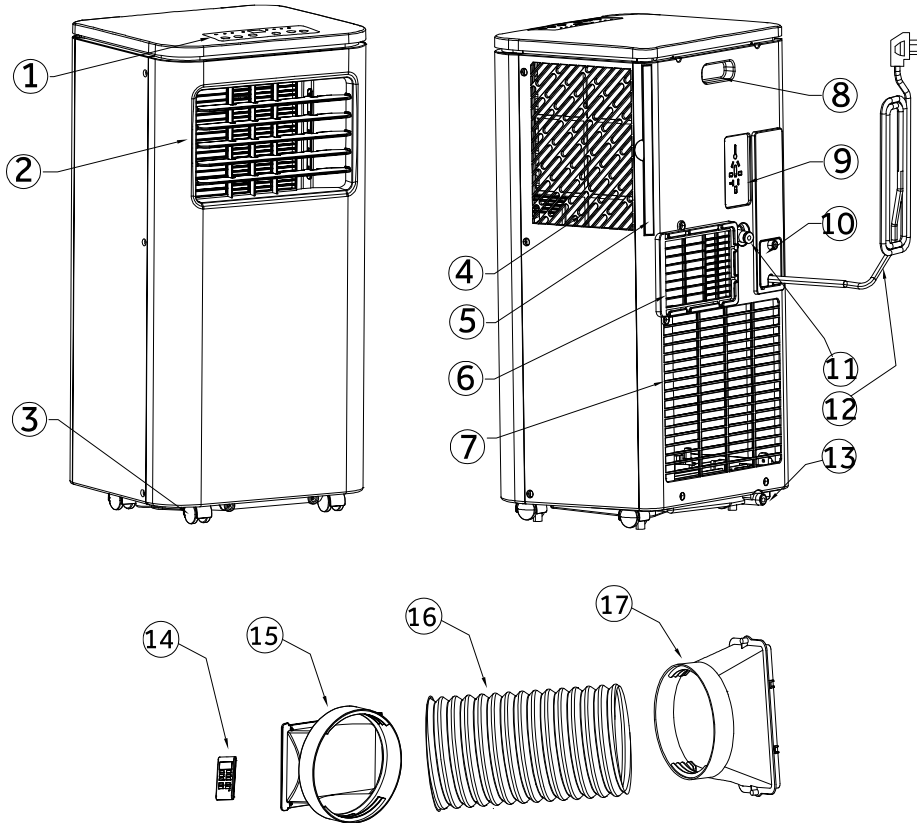
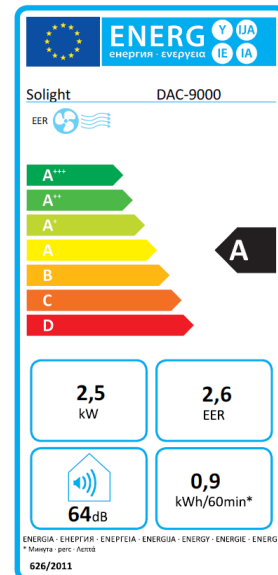


Dear customer, thank you for purchasing our product. Please read the following instructions carefully and follow them to serve you safely and to your full satisfaction. This will prevent misuse or damage. Avoid unprofessional handling of this appliance and always observe the electrical appliance usage guidelines. Keep the instruction manual carefully. For use in the home or indoors.



**DESCRIPTION OF EQUIPMENT**

- 1. Control panel
- 2. Air outlet
- 3. Wheels
- 4. Air inlet
- 5. Filter
- 6. Connecting material
- 7. Air inlet
- 8. Handle
- 9. Storage space for plug
- 10. Power cord cover
- 11. Drain hole
- 12. Power cable
- 13. Drain cover and plug
- 14. Remote control
- 15. Connector
- 16. Exhaust hose
- 17. Adapter



**Flammable material!**  
This appliance contains flammable R290/Propane refrigerant.

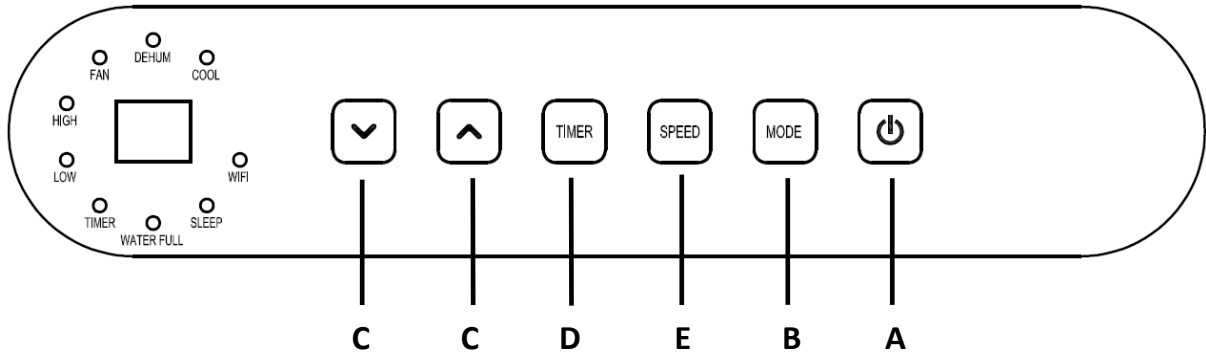
## **SAFETY NOTICE**

- Do not use maintenance products other than those recommended by the manufacturer.
- The equipment must be stored in a room with no permanent sources of ignition (for example: an open flame, a working gas appliance or a working electric heater).
- The equipment must be installed, operated and stored in a room with a floor area greater than 7 m<sup>2</sup>.
- Keep all necessary ventilation openings unobstructed.
- Do not modify, repair or disassemble the equipment. Service may only be performed by the manufacturer's service department.
- The equipment must be stored in a well-ventilated area the size of which corresponds to the area of the room to be used.
- The device is intended for indoor use only.
- When installing the air conditioner, follow the local rules for connecting it to the mains and ensure that it is properly earthed.
- Place the device in a flat and dry place and keep a distance of over 50 cm between the device and surrounding objects or walls.
- After installing the air conditioner, make sure the plug is intact and firmly inserted into the socket. Place the power cord neatly to prevent someone from tripping or pulling the plug.
- Do not insert any objects into the air inlet and outlet of the air conditioner. Keep the air inlet and outlet free of obstructions.
- When installing the drainage pipes, make sure they are connected correctly and are not warped or bent.
- Equipment should be located away from gasoline, flammable gas, stoves and other heat sources.
- Do not install or use the device in a bathroom or other damp environment.
- Do not switch off the device by pulling the plug out of the socket.
- Do not place containers of liquids on the body of the unit to prevent water or other liquids from spilling into the air conditioner.
- Do not use insecticidal sprays or other flammable substances near the equipment.
- Do not wipe or wash the device with chemical solvents such as gasoline and alcohol. If you need to clean the air conditioner, you must disconnect the power and clean it with a half-moistened soft cloth.
- Do not use the device if the power cord is damaged.
- The appliance must be installed in accordance with the regulations for the installation of electrical equipment.

## **PARAMETERS**

Parameters	
Model	DAC-9000
Functions	Cooling, dehumidification, fan
Cooling power	9000 BTU/h
Cooling power	2,5 kW
Temperature setting range	17-30°C
Power supply	220-240V/50Hz
Rated power input - cooling	960 W
Rated current - cooling	4,3 A
EER for cooling	2,61
Refrigerant	R290/ 140 g
Number of fan speeds	2
Air circulation (high/low level)	300/220 m <sup>3</sup>
Dehumidification	28l/den
Water tank capacity	0,7l
Equipment dimensions	340*694*300 mm
Packaging dimensions	403*861*335 mm
Suitable for premises	25m <sup>2</sup> (60m <sup>3</sup> )
Noise	51/53 dB
Weight	19,5 kg
Weight with packaging	22,5 kg
Controls	Smart Life/Tuya app + remote control
Window mounting kit	Universal

## CONTROL PANEL



## CONTROL DESCRIPTION

ICON	FUNCTION	ICON	FUNCTION	ICON	FUNCTION
	ON/OFF. BUTTON (A)		MODE BUTTON (B)		SELECTION BUTTON UP (C)
	TIMER BUTTON (D)		SPEED BUTTON (E)		SELECTION BUTTON DOWN (C)
	TIMER INDICATOR		FAN INDICATOR (HIGH)		WIFI INDICATOR
	WATER INDICATOR		FAN INDICATOR (LOW)		SLEEP MODE INDICATOR
	SLEEP MODE INDICATOR		FAN INDICATOR		
	CONTROL PANEL DISPLAY (D)		FAN INDICATOR (COOLING)		

### A. ON/OFF. POWER BUTTON

Switching the device ON and OFF

**NOTE:** Switch off the appliance by pressing the power button. Do not turn off the appliance by disconnecting the appliance from the mains while it is running.

### B. MODE BUTTON

Press the MODE button to toggle between operating options. The corresponding indicator will light up:

- **Cool** - Cools the room to the set temperature
- **Dry** - Reduces the humidity in the room
- **Fan** - Circulates air in the room without cooling

### C. SELECTION BUTTONS $\wedge$ / $\vee$

Adjusts the values in the temperature or clock settings.

#### Temperature setting:

The temperature can be set between 17°C and 30°C when the air conditioner is in Cool mode.

1. Press the Mode button until the Cool mode light comes on
2. Press the Up or Down arrow button to select the mode.

#### Temperature:

The temperature cannot be set when the air conditioner is in Fan or Dehumidify mode.

Simultaneously pressing the Up Arrow and Down Arrow buttons allows you to choose between displaying the temperature in °C or °F.

#### D. TIMER BUTTON

Allows you to set a time from 1 hour to 24 hours for the air conditioner to turn OFF or ON. When the setting is complete, the timer light will illuminate.

##### If the air conditioning is running:

1. Press the Timer button.
2. Press the UP/DOWN arrow buttons to select the number of hours you want the air conditioner to continue operating before it shuts off.

##### If the air conditioning is switched off:

1. Press the TIMER button
2. Press the UP/DOWN arrow buttons to select the number of hours you want the air conditioner to stay off before switching ON.

**NOTE:** After completing the setup, wait approximately 5 seconds for the power-on time to be saved.

##### To cancel the timer:

Press the TIMER button again to cancel the original setting.

Press and hold the timer button for 3 seconds to enter the active Wi-Fi connection state or to turn Wi-Fi OFF.

#### E. SPEED BUTTON (Fan speed)

The fan speed can be set to low and high.

- Press the SPEED button to switch between the two speeds. The corresponding fan speed indicator will light up.

NOTE: Fan speed cannot be adjusted when the unit is in dehumidification mode.

#### CONTROL PANEL DISPLAY

Displays the set temperature in degrees Celsius or the remaining hours of time delay.

#### SLEEP MODE

Pressing the TIMER and DOWN ARROW buttons simultaneously allows you to select sleep mode.

#### REMOTE CONTROL

##### 1. POWER (ON/OFF)

When the device is plugged in, turn it on by pressing the POWER button. Press the POWER button again to turn the unit off.

##### 2. MODE (MODE SELECTION)

Press the Cool, Dry, or Fan button to select the mode.

##### 3. FAN (FAN SPEED)

Press the High or Low button to adjust the fan speed. When the unit is in dehumidification mode, the fan speed cannot be changed.

##### 4. TEMP (TEMPERATURE SETTING)

When the device is in cooling mode, you can select the desired temperature. Press the ▲ or ▼ button to select the desired temperature setting.

##### 5. SLEEP (SLEEP MODE)

When in air conditioning mode, press the Sleep button on the remote control. In sleep mode, the fan will run at low power to keep fan noise to a minimum.

##### 6. TIMER

Automatic switching ON:

- Press the TIMER button when the device is switched OFF to set the auto-on timer. Press the ▲ or ▼ button to set the timer between 1-24 hours.

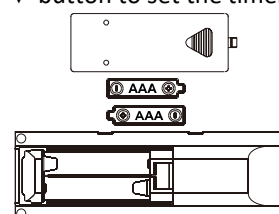
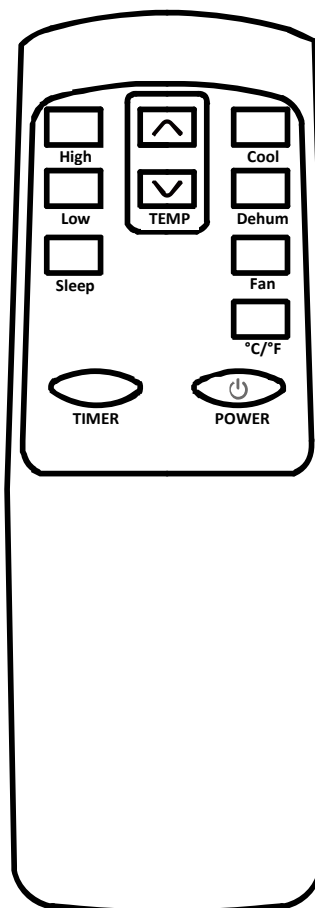
- Press the TIMER button when the device is switched ON to set the auto-off timer. Press the ▲ or ▼ button to set the timer between 1-24 hours.

##### 7. °C / °F

Press this button to change the temperature units.

#### NOTE

- Use 2x AAA batteries to power the controller



- Do not use rechargeable batteries

## **INSTALLATION**

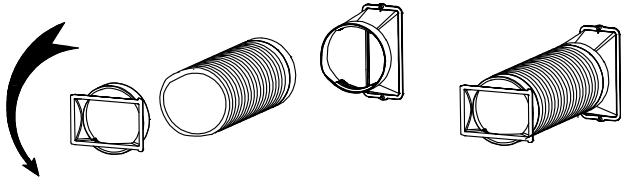
### **1. UNPACKING THE DEVICE**

Carefully unpack the device from the shipping box and packaging. Keep the box and packaging to store the air conditioner in case of prolonged disuse.

### **2. INSTALLATION OF THE EXHAUST HOSE**

Grasp both ends of the exhaust hose and gently pull the hose apart.

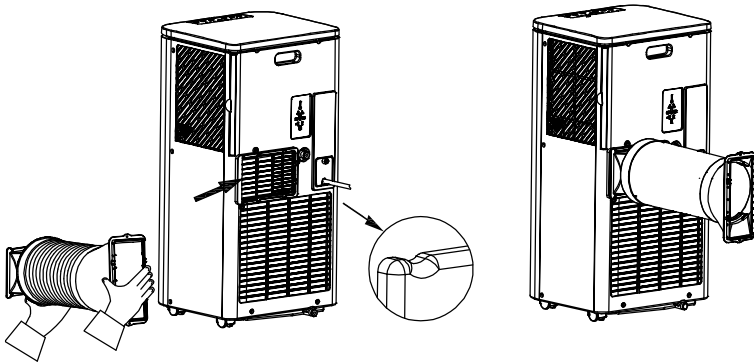
Move counterclockwise to connect the open end of the exhaust hose to the exhaust nozzle.



### **3. EXHAUST HOSE CONNECTION**

When connecting the hose, the air conditioner must be close enough to the window to avoid loosening the window sealant plate. After connecting the hose, move the air conditioner 20" (51 cm) away from the wall.

- Insert the suction hose from the left side to the device as shown in the picture below.

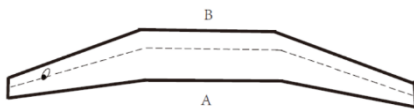


### **4. INSTALLATION OF THE WINDOW EXHAUST**

#### **4.1**

First, open the window and clean all surfaces on which the Velcro strip will be attached. Clean the frame and sash surfaces to ensure that they are free of dust and grease. Open the self-adhesive part of the Velcro strip and attach it to the window sash.

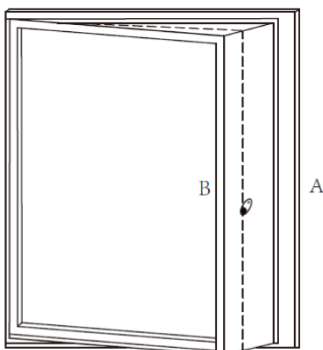
NOTE: Make sure the window can still be closed without damaging the Velcro on the frame or sash.



#### **4.2**

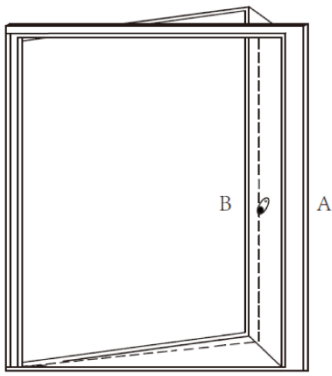
Attach the Velcro strap to the window sash (side A) from the outside or inside. On the side where the handle is.

NOTE! Make sure the window can still be closed without damaging the Velcro on the frame or window sash.



#### **4.3**

First, attach the wide part (side A) of the sealant (the zipper is closed) with the window open. Start in the middle and then attach left and right or up and down on the window frame.



#### 4.4

Close the window and make sure that the window sealing kit is not tilted or pushed.

#### 4.5

Fasten the narrow side B (zipper closed) from the centre left and right or up and down on the wing.

#### 4.6

Open the window slightly and use the zipper to pull the vent hose through the window sealing kit.

#### 4.7

The Window Sealing Kit is now ready for use.

### DRAINING WATER FROM THE AIR CONDITIONER

If the water tank inside the machine fills up, you will need a bowl to catch the water flowing out of the tank. Once the water tank is empty, the device will resume operation within a few minutes.

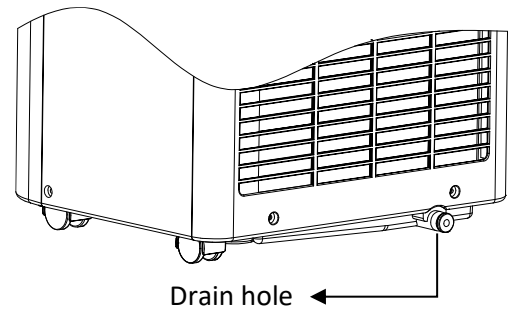
#### Manual discharge:

The indicator light (WATER FULL) will illuminate when the water tank is full. Disconnect the device from the electricity.

1. Insert the container under the water outlet at the back of the device.
2. Unscrew the drain cover and remove the plug.
3. After draining the water, insert the plug and screw the cover firmly onto the water outlet.

#### NOTE:

- Take care not to damage the plugs or water outlets in any way.
- Handle the appliance very carefully to avoid water leakage.
- When draining, tilt the unit slightly backwards.
- If the reservoir cannot hold all the water in the appliance, close the drain hole before the reservoir is full to prevent leakage and to avoid soaking the floor or carpet.
- The water plug and drain cover must be firmly installed to prevent condensate from escaping when the unit starts working again.

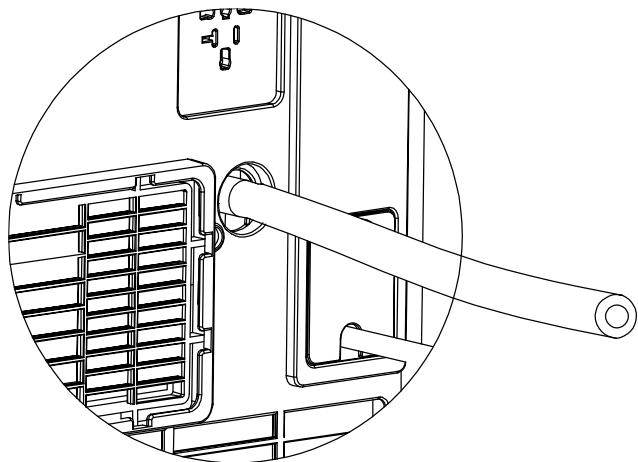


#### Continuous water drainage

1. Unscrew the drain hole cover and remove the cap.
2. Connect a drain hose  $\varnothing 13$  mm (not included) to the drain hole, fitting it so that no water leaks at the hose connection point.
3. Pull the drain hose to a suitable drain.

#### NOTE:

- The drain hose must be installed when there is no water in the inner vessel.
- It is recommended not to use continuous draining when the unit is in cooling mode to ensure sufficient water recycling in the unit to increase the cooling effects of the system.
- Place the drain hose in an inaccessible place, no higher than the drain hole, and keep the drain hose straight without any bending.



### MAINTENANCE

⚠ Be sure to switch off the equipment and disconnect it from the mains before servicing.

#### Surface cleaning:

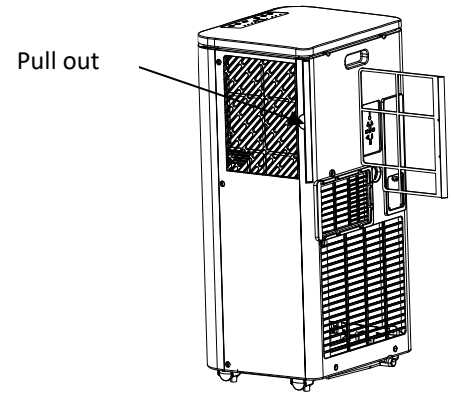
- Clean the surface of the instrument with a damp and soft cloth and do not use chemical solvents such as alcohol and gasoline to avoid damaging the instrument. It is forbidden to use any thinner, alcohol, polish or other similar solvents to clean the device.

### Cleaning the filter

- Clean the filter continuously, depending on the dustiness of the environment in which the device is working and the intensity of use. Dust contamination of the filter would affect the function of the instrument.
- Grasp the filter handle and gently pull it in the right direction. If necessary, clean the dust particles in the filter. Submerge and gently wash the filter in warm water (approx. 40 °C) mixed with a neutral detergent and then dry.

### WARNING:

- Handle the filter with care.
- Remove the filter on the back panel first, then remove the filter on the side panel to avoid twisting or damaging it.
- Do not squeeze the net or hit it with sharp objects or a brush.
- Do not use the appliance without installing a filter.



### Storage

When not in use, store the air conditioner properly.

1. Unscrew the drain cover and pull out the cap to completely drain the condensed water. Or tilt the unit to drain the water.
2. Allow the unit to run in fan mode for half a day to completely dry the inside of the unit to prevent mould.
3. Turn off the device, pull the plug, and then wrap the power cord around the cable winding post, insert the plug into the hole on the rear panel of the device, install the water cap and drain cover.
4. Remove the heat dissipation hose, clean it and store it properly.
5. Remove the batteries from the remote control and insert them into the remote control box.

### NOTE:

Make sure the unit is stored in a dry place. All equipment accessories must be properly stored together. Keep the equipment out of the reach of children.

### PROBLEM SOLVING

MANIFESTATION OF THE PROBLEM	REASON	SOLUTION
<b>The device will not start</b>	No supply voltage	Plug the device into another socket and switch it on
	Overfilled water tank	Drain the water stored in the tank
	Ambient temperature too low or high	We recommend using this equipment in the range of 5-35°C
	The room temperature is lower than the set temperature in cooling mode or higher in heating mode.	Change the temperature setting
<b>Poor cooling or heating</b>	Direct sunlight	Pull the window curtain
	Doors and windows are open, the room is small or there are other heat sources	Close doors and windows, remove other heat sources
	Contaminated filter	Clean or replace the filter mesh
	Air inlet or outlet is blocked	Remove the obstacle
<b>High noise level</b>	The equipment is placed on an uneven surface.	Place the unit on a level and firm place (may reduce noise).

<b>Compressor not working</b>	Active overheating protection	Wait 3 minutes until the temperature drops, the unit will automatically restart.
<b>Remote control does not work</b>	Too much distance	Bring the remote control closer to the air conditioner
	The remote control was not pointing at the signal receiver on the device	
	Batteries not charged	Replace the batteries
<b>Code "E1" is displayed</b>	Room temperature sensor failure	Contact customer service and repair centre
<b>Code "E2" is displayed</b>	Pipe temperature sensor failure	Contact customer service and repair centre
<b>A full water tank is displayed</b>	The water tank is full.	Drain the condensate and restart the unit

Note:

- Do not disassemble or repair the unit without authorization, unprofessional tampering will void your warranty or may endanger your health or property.
- If your problem is not listed in the Troubleshooting section, ask for professional service.

### **SMART LIFE/TUYA APP**

Details on connecting this device to the Smart Life/Tuya mobile app can be found on Youtube.com under the title „**Solight DAC návod k aplikaci**“.

### **Quick application guide:**

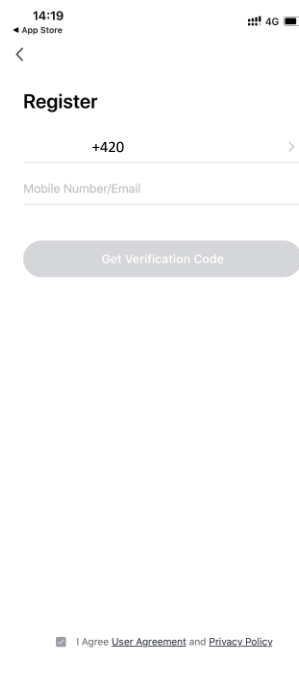
**1. Make sure your mobile phone is connected to Wi-Fi.**

**2. Download the mobile app**

To download the app, search for "Smart Life" or "Tuya Smart" in Google Play (for android) / App Store (for iOS).

**3. Registration**

1. When you open the Tuya Smart mobile app, click the Register button.
2. Enter your email address and wait for the verification code to be sent to you. Then enter the verification code into the mobile app.
3. Create a password for your account.

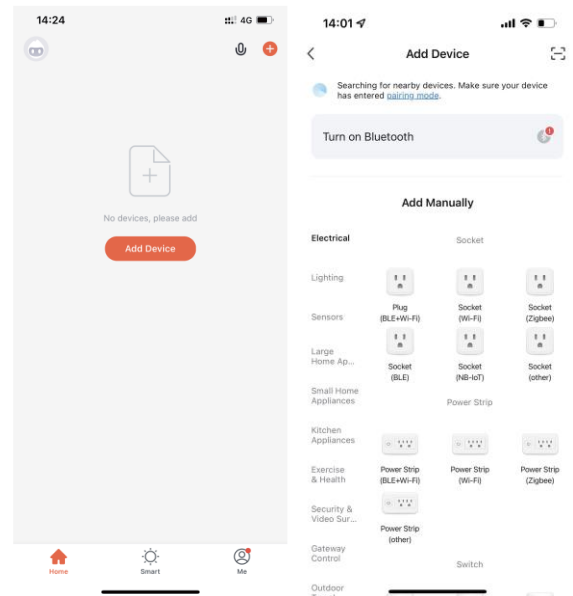




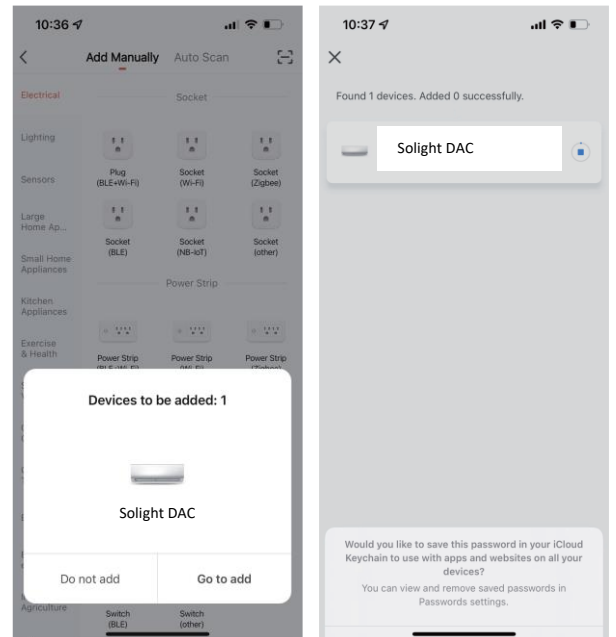
## Adding a device to the mobile app

Automatic pairing:

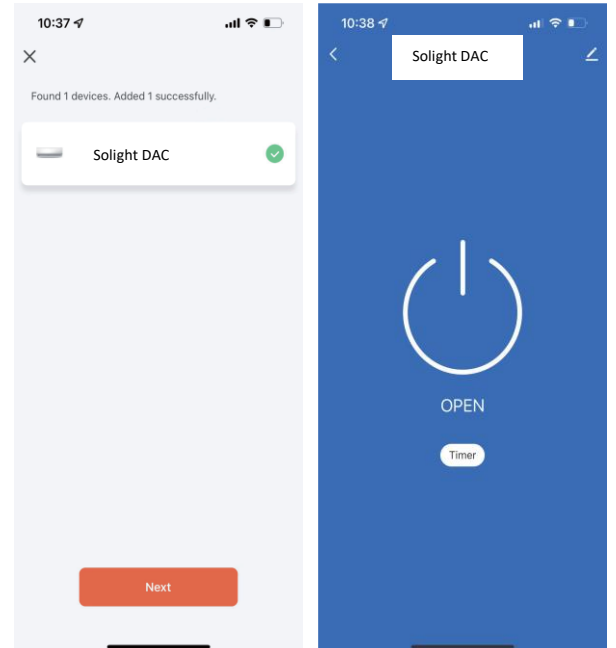
1. Click the "+" in the upper right corner, or the Add Device button.
2. Turn on Bluetooth and follow the instructions in the app.



3. When connected to Bluetooth, the device will automatically display.
4. Click Go to add

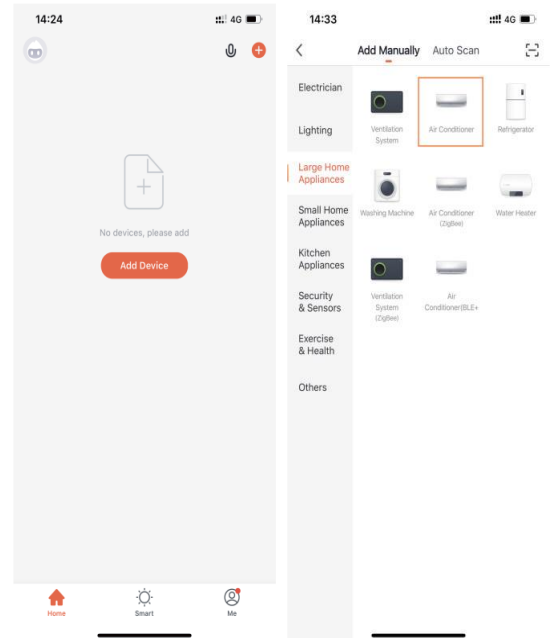


5. Wait until the device successfully connects.
6. Click Next to finish. The device is ready for use.

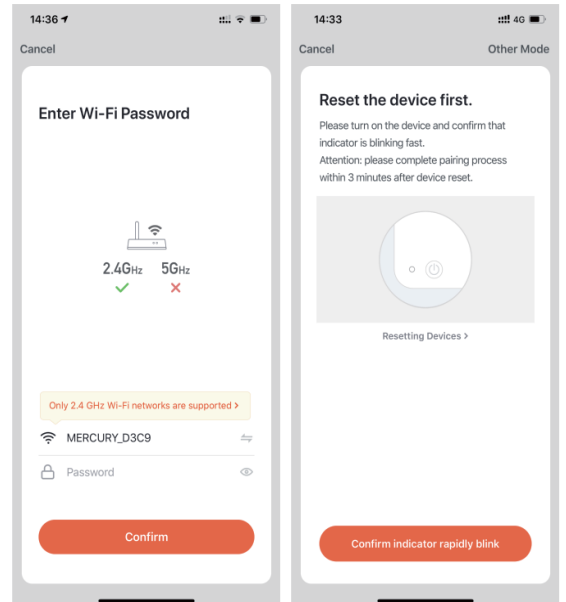


Adding a device manually:

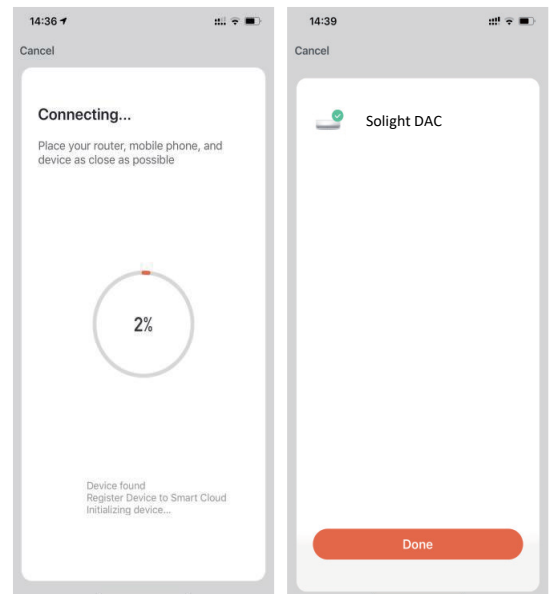
7. If the device is not added automatically, add it manually.
8. Select Air Conditioning (Wi-Fi) from the Large Home Appliances category.



9. Press and hold the Timer button for 5s, the Wi-Fi icon on the display will flash.
10. Confirm with the Confirm indicator rapidly blink button. If it does not blink, click Reset Device step by step in the application and repeat adding the device.



11. Wait for the device to connect.
12. When finished, click Done.



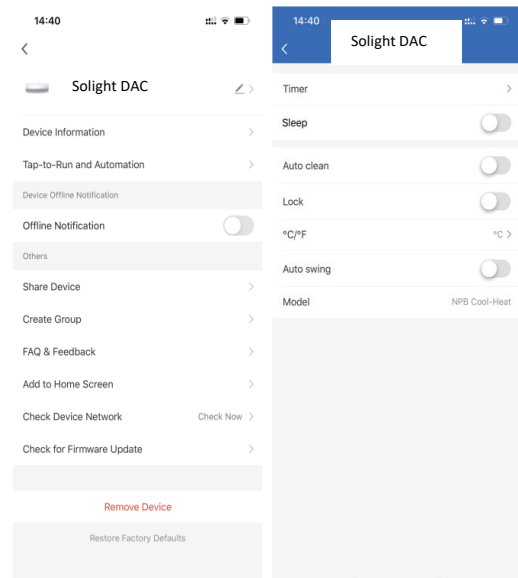
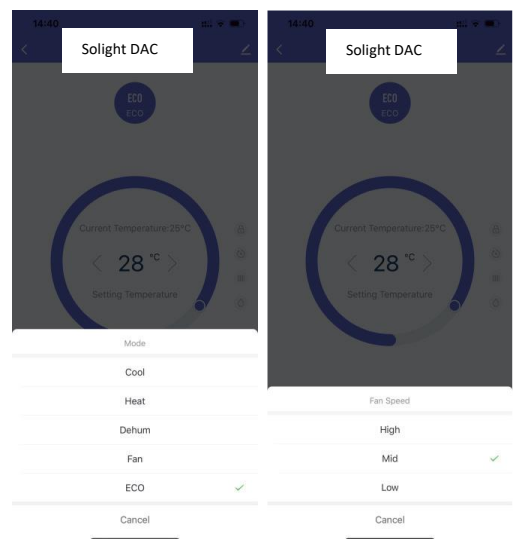
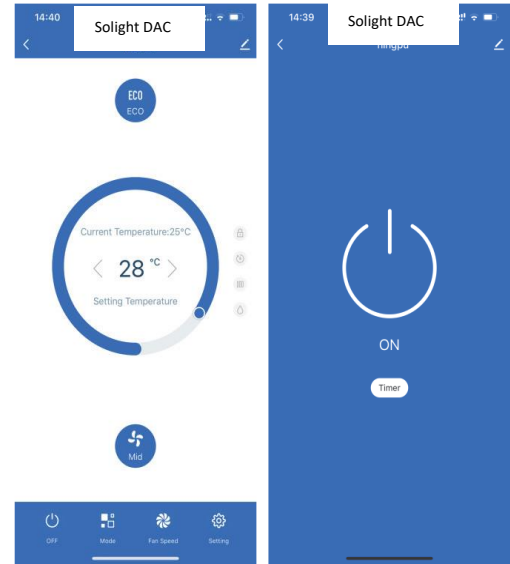
## Controls

1. Press the On button to turn on the device.
2. Press the Timer button to turn on the timer.

Now you can control your device from anywhere using the mobile app.

3. Click the Mode button to select a mode.
4. Click Fan Speed to select the fan speed.

5. Click Setting
6. Click on the Pencil icon in the right corner for more settings.



The product has been issued with a CE declaration of conformity in accordance with the applicable regulations. On request from the manufacturer: [info@solight.cz](mailto:info@solight.cz), or downloadable at [www.solight.cz](http://www.solight.cz).



# SOLIGHT

Solight Holding, s.r.o., Na Brně 1972, Hradec Králové 500 06, Česká republika.